



Client: \_\_\_\_\_

Project: \_\_\_\_\_

Type: \_\_\_\_\_

Order Code: \_\_\_\_\_

Quantity: \_\_\_\_\_

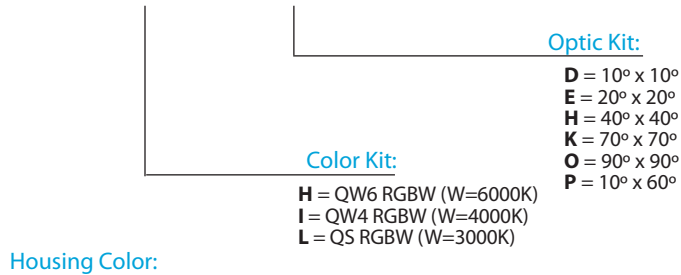
**Flood One EO Color** is a high output, outdoor rated, color changing LED floodlight. It features an internal 100-277VAC power supply, 0-100% DMX/RDM dimming, and a very low profile design to fit into small spaces. It comes with a 10° beam standard, with optional internal spread lenses for wider applications. It is ideal for facade lighting applications and as an area floodlight.

## SPECIFICATIONS

Colors	<b>QW6:</b> RGBW (W=6000K), <b>QW4:</b> RGBW (W=4000K), <b>QS:</b> RGBW (W=3000K)
Beam Angles	10° standard, 20°, 40°, 70°, 90°, 10° x 60° spread lens options
Photometrics	Up to 2,560 lumens, 41,475 center candela, see page 4 for details
Effective Projected Area	0.83 ft <sup>2</sup>
Control	DMX + RDM, 0-100%
Max Fixtures in Series	32 via DMX, power local to each fixture
Power Consumption	65W
Operating Voltage	100-277VAC, 50/60 Hz
Lumen Maintenance	L70 @ 150,000 hours (25° C)
Mounting	Surface mount bracket included, optional tenon mount and pipe clamp available
Finish	Gray standard (RAL 7047), black, white, and custom colors optional*
Material	Die cast aluminum, glass lens, optional marine coating available
Ambient Operating Temperature	-40° F to 125° F (-40° C to 51° C)
IP Rating	IP66, wet location
IK Rating	IK07, protection against 2 joule impact
Fixture Connectors	Attached 6.5' (2m) AC power, separate 6.5' (2M) DMX/RDM cable
Warranty	5 Years, limited
Weight	11 lbs (5 kg)
Dimensions	<b>L:</b> 12.48" x <b>W:</b> 7.83" x <b>D:</b> 5.31" (317mm x 199mm x 135mm)
Certifications	

## ORDER CODES

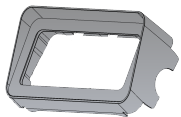
### FOC# - FCC# - FBO#



\*custom colors may require a minimum order

## RELATED COMPONENTS

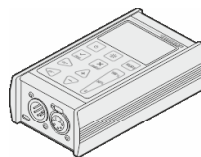
### Optional Beam Accessories



**FBHSG**  
Half snoot for Flood One EO

**FBFSG**  
Full snoot for Flood One EO

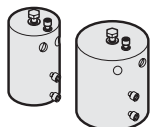
### Fixture Setup Accessories



**XMT350**  
DMX + RDM Addressing and Testing Tool

## RELATED COMPONENTS

### Optional Mounting Accessories



#### TM2

2" pipe, schedule 40 tenon mount  
(2.51", 64mm inner dia.)

#### TM4

3.5" pipe, schedule 40 tenon mount  
(4.13", 105mm inner dia.)



#### PC2

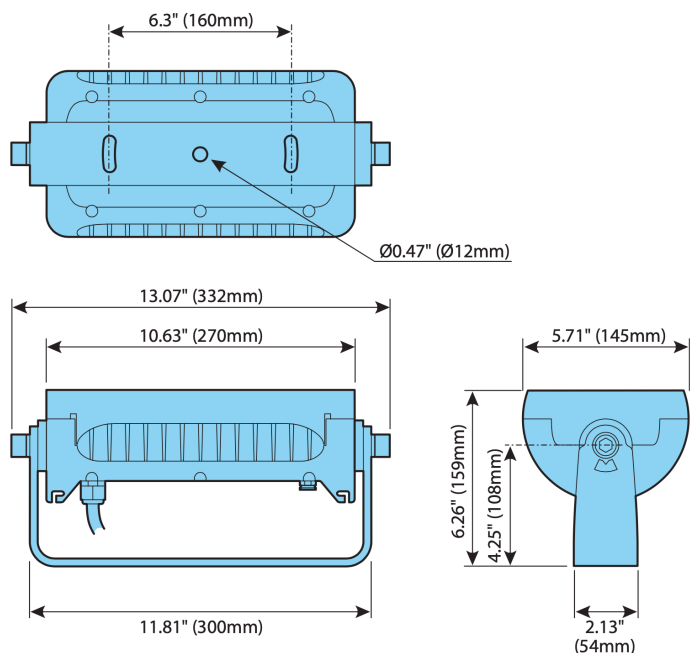
2" pipe, schedule 40 pipe clamp (2.51", 64mm inner dia.)  
mounts 1 or 2 fixtures

#### PC4

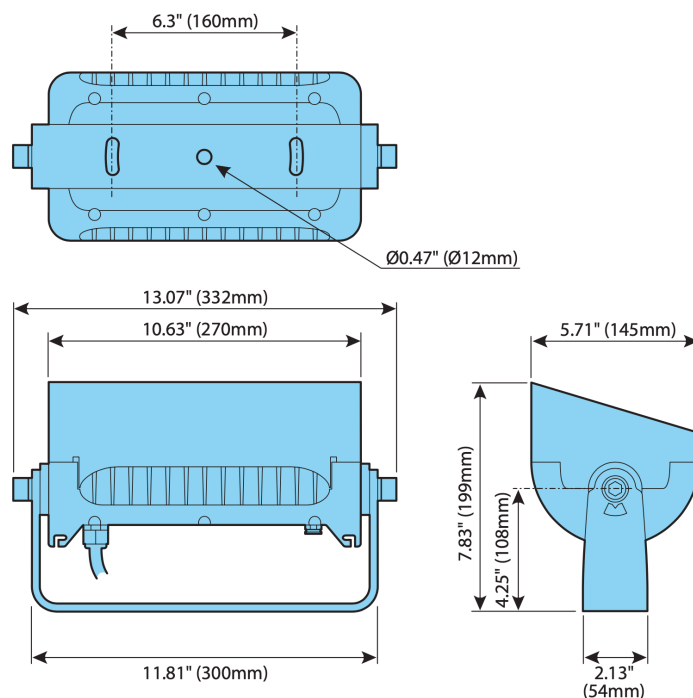
4" pipe, schedule 40 pipe clamp (4.13", 105mm inner dia.)  
mounts 1 or 2 fixtures

## DIMENSIONS

### STANDARD MODEL

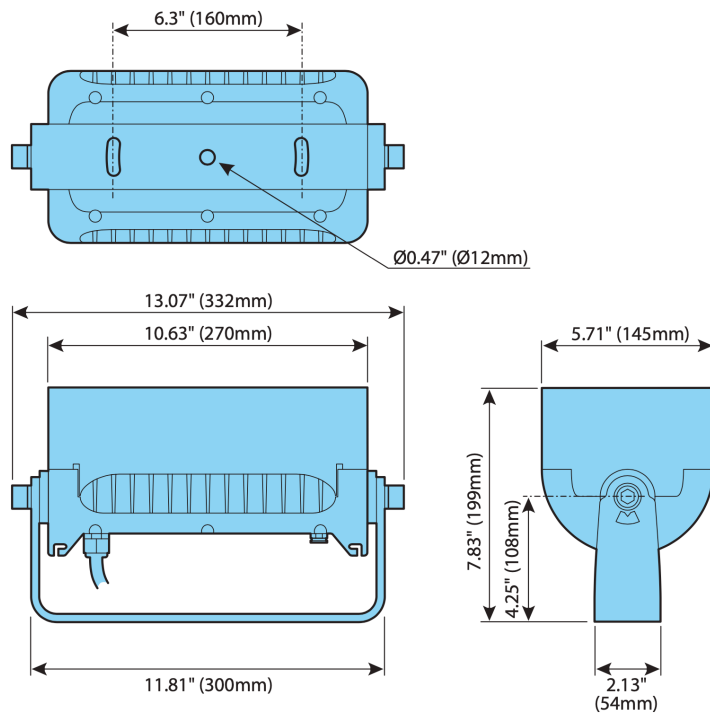


### HALF SNOOT MODEL



## DIMENSIONS

FULL SNOOT MODEL



## PHOTOMETRICS

Color Temp / Beam	Lumens	Center Candela	Efficacy (l/pw)	CRI (Ra)	TM30
<b>QW4, 15°</b>	2,378	37,699	40	78.7	81.1
<b>QW6, 15°</b>	2,330	39,394	37	72.8	71.8
<b>QS, 15°</b>	2,560	41,475	39	83.8	84.8