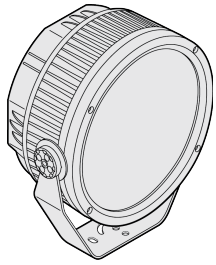


# DYNA DRUM HO WHITE™



Client:

Project:

Type:

Order Code:

Quantity:



**Dyna Drum HO White** is a high output, outdoor rated, white color LED floodlight. It features an internal 100-277VAC power supply, onboard DMX+RDM driver, and each unit carries Acclaim's Aria wireless DMX technology inside. The optical system and high power LED provide exceptional output and efficacy. It comes with a narrow 5° beam standard, with optional quick-change spread lenses for wider applications. It is ideal for facade lighting applications and as an area floodlight.

## SPECIFICATIONS

Colors	2700K, 3000K, 3500K, 4000K, 5700K
Beam Angles	5° standard, 20°, 40°, 60°, 10° x 60° spread lens options
Photometrics	Up to 16,418 lumens, 1,101,345 cd, see page 4 for details
Effective Projected Area	1.75 ft <sup>2</sup>
Control	DMX+RDM, Manual color setting in menu, photocell included, Aria wireless direct connect
Max Fixtures in Series	32 via DMX, power local to each fixture
Power Consumption	200W
Operating Voltage	100-277VAC, 50/60 Hz
Lumen Maintenance	L70 @ 150,000 hours (25° C)
Mounting	Surface mount bracket included, optional tenon mount and pipe clamp available
Finish	Gray standard (RAL 7047), black, white, and custom colors optional
Material	Die cast aluminum, glass top lens, optional marine coating available
Ambient Operating Temperature	-40° F to 125° F (-40° C to 51° C)
IP Rating	IP66, wet location
IK Rating	IK07, protection against 2 joule impact
Fixture Connectors	Attached 5' (1.5m) IP66 hybrid cable, AC power +DMX/RDM
Warranty	5 Years, limited
Weight	36 lbs. (16.3 kg)
Dimensions	<b>L:</b> 14.8" x <b>W:</b> 15.4" x <b>D:</b> 8.2" (378mm x 393mm x 209mm)

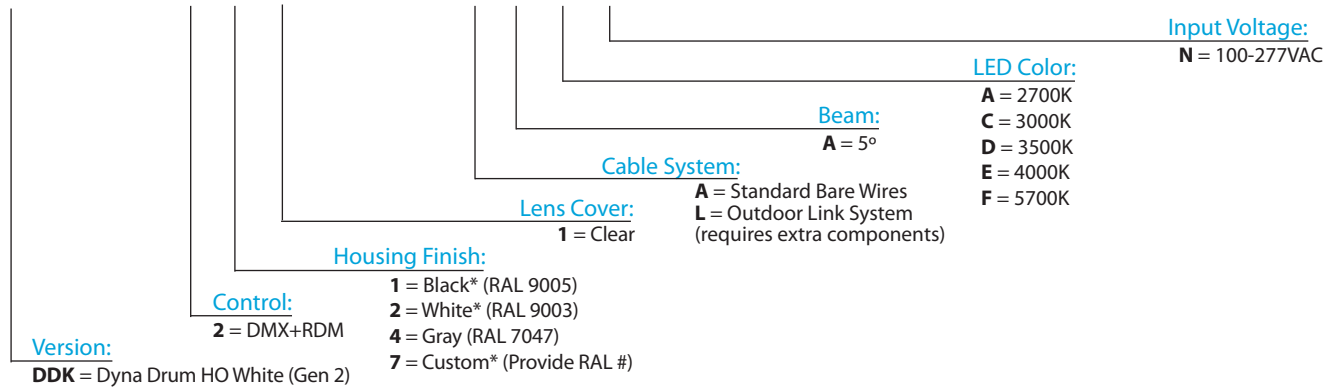
Certifications



## ORDER CODES

\* indicates special order

**DDK - 2 # 1 - # A # N**



## RELATED COMPONENTS

### Optional Beam Accessories



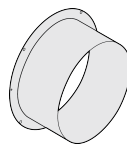
**DDHSL10**  
10° Spread lens for Dyna Drum HO

**DDHSL20**  
20° Spread lens for Dyna Drum HO

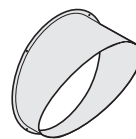
**DDHSL40**  
40° Spread lens for Dyna Drum HO

**DDHSL60**  
60° Spread lens for Dyna Drum HO

**DDHSL1060**  
10° x 60° Spread lens for Dyna Drum HO



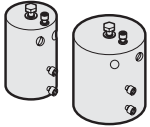
**DDH2FSG** Full snoot for Dyna Drum HO, Gray  
**DDH2FSB** Full snoot for Dyna Drum HO, Black  
**DDH2FSW** Full snoot for Dyna Drum HO, White



**DDH2HSG** Half snoot for Dyna Drum HO, Gray  
**DDH2HSB** Half snoot for Dyna Drum HO, Black  
**DDH2HSW** Half snoot for Dyna Drum HO, White

## RELATED COMPONENTS

### Optional Mounting Accessories



#### TM2

Use with 2" pipe, schedule 40 tenon mount  
(2.51", 56mm inner dia.)

#### TM4

Use with 3.5" pipe, schedule 40 tenon mount  
(4.13", 105mm inner dia.)



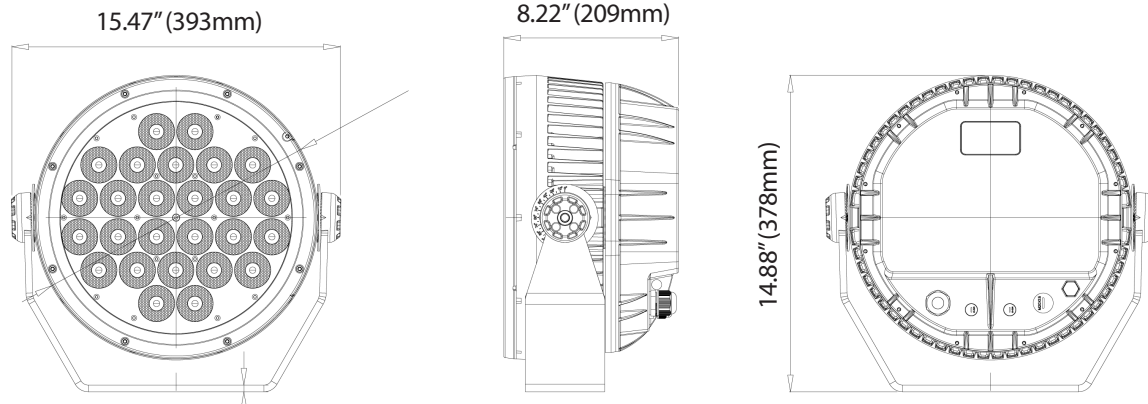
#### PC2

Use with 2" pipe, schedule 40 pipe clamp  
mounts 1 or 2 fixtures

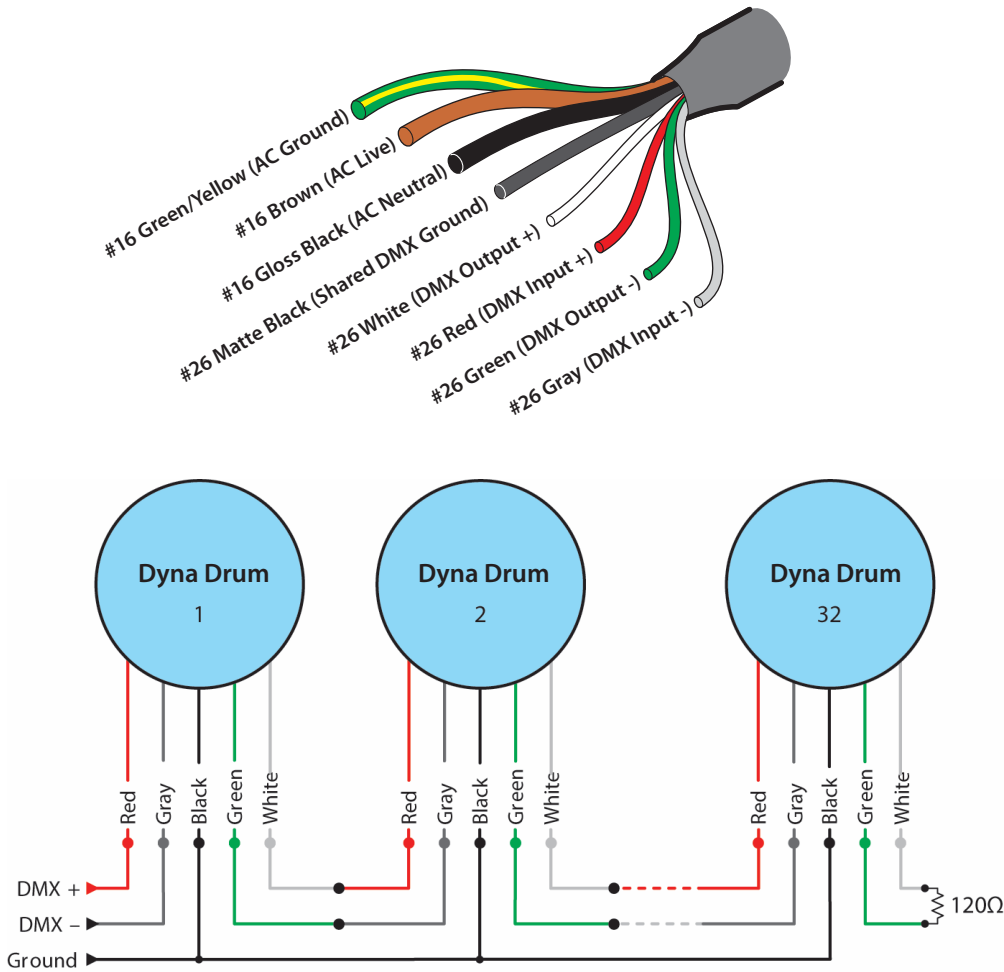
#### PC4

Use with 4" pipe, schedule 40 pipe clamp  
mounts 1 or 2 fixtures

## DIMENSIONS



## WIRING



## PHOTOMETRICS

Color Temp / Beam	Lumens	Center Candela	Efficacy (l/pw)	CRI (Ra)	TM30
<b>2700K, 5°</b>	10,246	788,485	50	80.4	81.8
<b>3000K, 5°</b>	11,375	875,540	57	79.9	80.8
<b>3500K, 5°</b>	12,456	990,245	60	80.2	80.1
<b>4000K, 5°</b>	13,859	914,560	66	80.2	80.1
<b>5700K, 5°</b>	16,418	1,101,345	82	80.2	80.1