



SPECTRUMFOUR
TECHNOLOGY

aria
WIRELESS DMX

Client:

Project:

Type:

Order Code:

Quantity:

Dyna Accent Color is a high output, outdoor rated, color changing LED floodlight. It features an internal 100-277VAC power supply, onboard DMX+RDM driver, and each unit carries Acclaim’s Aria wireless DMX technology inside. The optical system and high power LED provide exceptional output and efficacy. It comes with a 10° beam standard, with optional quick-change spread lenses for wider applications. It is ideal for facade lighting applications and as an area floodlight.

SPECIFICATIONS

Colors	QW6: RGBW (W=6000K), QW4: RGBW (W=4000K), QS: RGBW (W=3000K)
Beam Angles	10° standard, 20°, 40°, 60°, 10° x 60° spread lens options
Photometrics	Up to 1100 lumens, 30,000 cd, see page 4 for details
Effective Projected Area	0.96 ft ²
Control	DMX+RDM, Manual color setting in menu, photocell included, Aria wireless direct connect
Max Fixtures in Series	32 via DMX, power local to each fixture
Power Consumption	45W
Operating Voltage	100-277VAC, 50/60 Hz
Lumen Maintenance	L70 @ 150,000 hours (25° C)
Mounting	1/2" NPT pipe (O.D.=0.855") , 4" round elec. box, landscape stake or surface mounting plate
Finish	Gray standard (RAL 7047), black, white, and custom colors optional
Material	Die cast aluminum, glass top lens, optional marine coating available
Ambient Operating Temperature	-40° F to 125° F (-40° C to 51° C)
IP Rating	IP66, wet location
IK Rating	IK07, protection against 2 joule impact
Fixture Connectors	Attached 5' (1.5m) AWM 21388 IP66 hybrid cable, AC power + DMX/RDM
Warranty	5 Years, limited
Weight	10 lbs. (4.53 kg)
Dimensions	L: 11.37" x W: 6.14" x H: 11.06" (289mm x 156mm x 281mm)

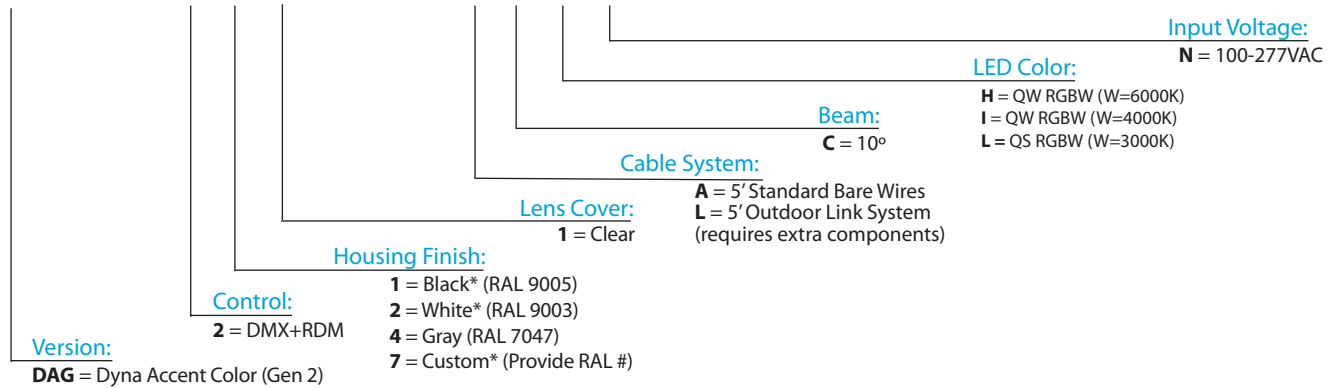
Certifications



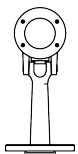
ORDER CODES

* indicates special order

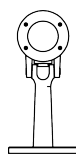
DAG - 2 # 1 - # C # N



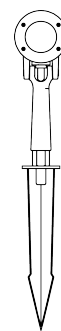
OPTIONAL MOUNTING HARDWARE



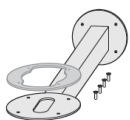
DMAEBM
4" round electrical box mount
for Dyna Accent Color



DMADSM
Direct surface mount
for Dyna Accent Color



DMASTM
Landscape stake mount
for Dyna Accent Color



DYNAFEB#
For use with 4" round electrical box mount
Available in 6", 12", 18" and 36" lengths
Order Code Example: DYNAFEB6

RELATED COMPONENTS

Optional Beam Accessories



DAGSL10

10° Spread lens for Dyna Accent

DAGSL20

20° Spread lens for Dyna Accent

DAGSL40

40° Spread lens for Dyna Accent

DAGSL60

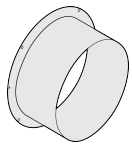
60° Spread lens for Dyna Accent

DAGSL100

100° Spread lens for Dyna Accent

DAGSL1060

10° x 60° Spread lens for Dyna Accent



DAGFSG

Full snout for Dyna Accent, Gray

DAGFSB

Full snout for Dyna Accent, Black

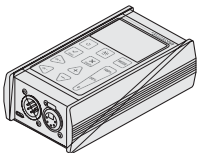
DAGFSW

Full snout for Dyna Accent, White

DAGFSC

Full snout for Dyna Accent, Custom (provide RAL #)

Control Accessories



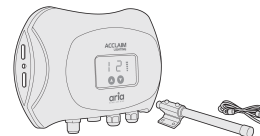
XMT350

DMX + RDM Addressing and Testing Tool



ARIA WDS

Aria Wireless DMX System

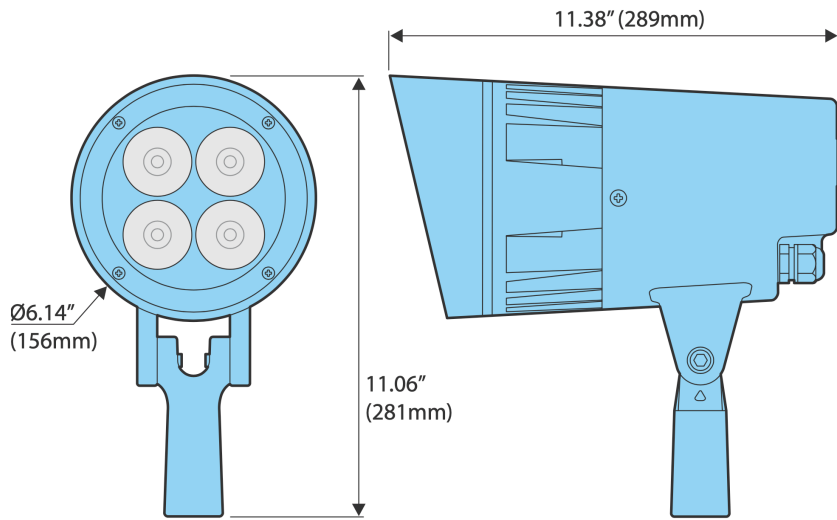


ARIA RE

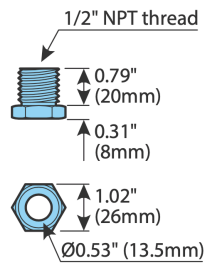
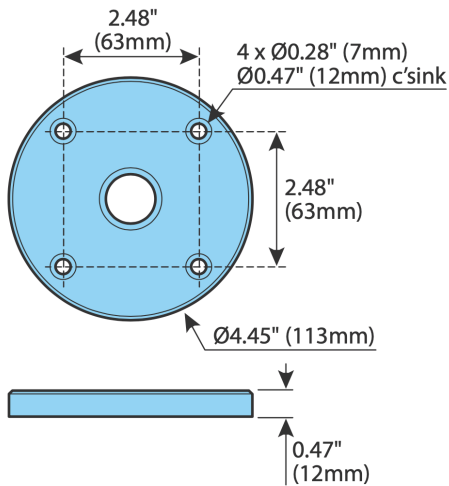
Aria Wireless Range Extender

DIMENSIONS

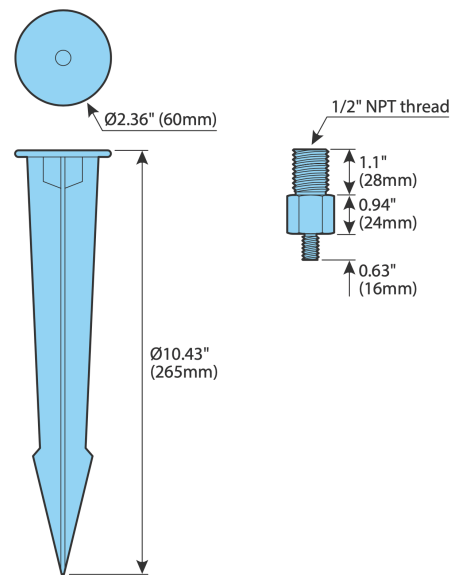
Main Body



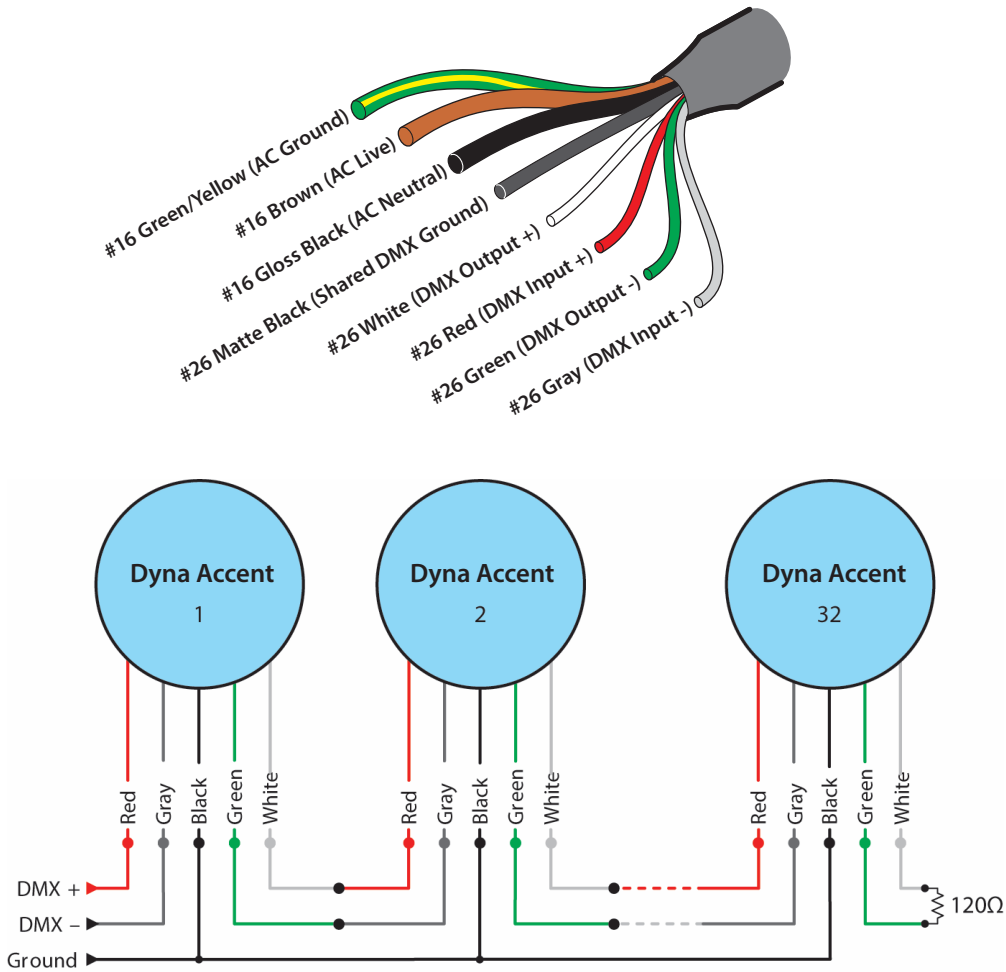
Electrical Box and Direct Surface Mount



Landscape Stake and Joiner



WIRING



PHOTOMETRICS

Color Temp / Beam	Lumens	Center Candela	Efficacy (l/pw)	CRI (Ra)	TM30
QS, 10°	973	22,965	24	-	-
QW4, 10°	1,092	24,878	26	80.2	81
QW6, 10°	Testing in progress				